

## Assembly of SMPM Block

### Required Tools and Materials

Assembly Tool (TSM P/N 520-3303-001)

Assembly Block (TSM P/N 520-3436-001)

### 1 Make use of assembly block.

Insert VITA block into the appropriate pocket of the assembly block. Insert the cable into the appropriate mounting position.

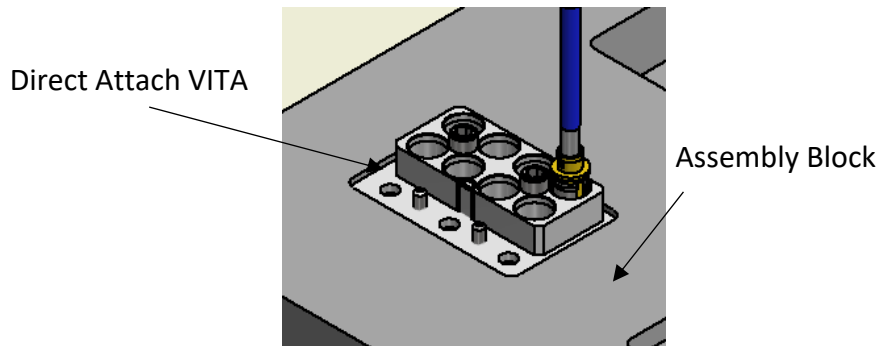


Figure 1

### 2 Securing the cable into the block.

Use the assembly tool to press the connector into its appropriate socket. Inspect the block to ensure proper alignment of the connectors.

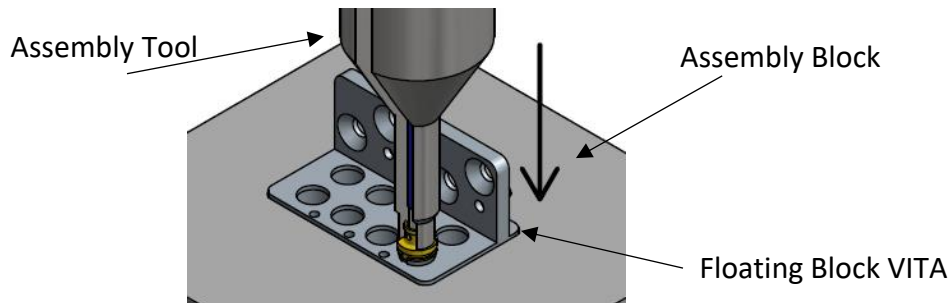


Figure 2

**NOTE:** DO NOT apply excessive pressure to insert the connector. The retaining rings on the SMPM connectors will be damaged if they are forced.

## Disassembly of SMPM Block

### Required Tools and Materials

Removal Tool (TSM P/N 520-3539-001)

Assembly Block (TSM P/N 520-3436-001)

5/64" Hex L key

C-Clamp (Customer Provided)

### 1 Removing direct attach block.

Remove the plate on the direct attach block by unscrewing the 2 hex bolts using a 5/64" Hex Key.

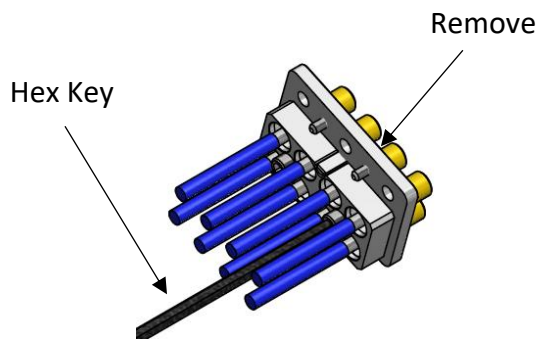


Figure 1

### 2 Preparation for cable removal.

Clamp down the assembly block to a bench or table for stability. Place the VITA assembly minus the plate in the appropriate slot on the edge of the assembly block, allowing the cables to hang down.

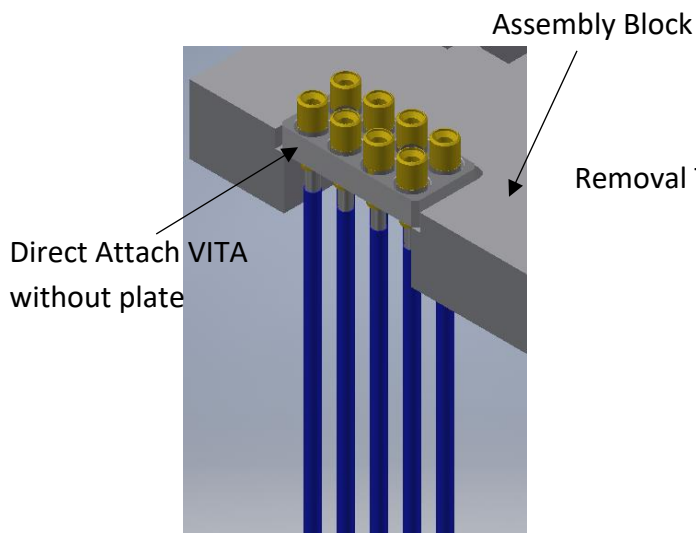


Figure 2

For Direct Attach, use 3a.  
For Floating Block, use 3b.

### 3a Removal of cables from Direct Attach VITA assembly.

Keep the assembly in the assembly block, and using the removal tool, slide the tool over the connector. Once a click is heard, use the smaller plunger to push the cable out.

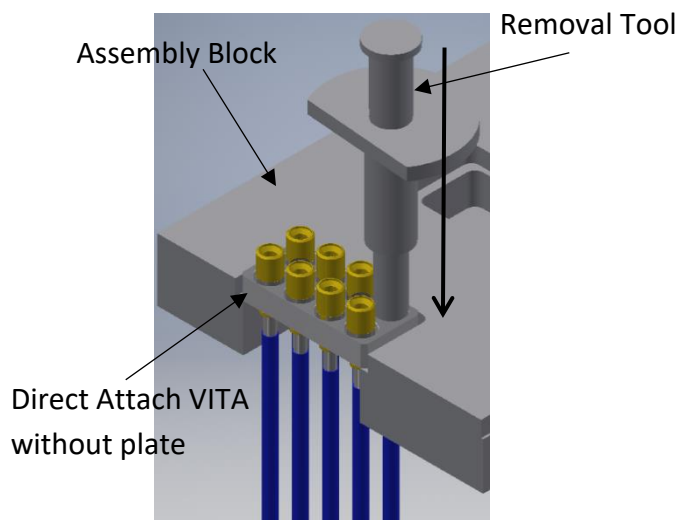


Figure 3

### 3b Removal of cables from Floating Block VITA assembly.

Using the removal tool, slide the tool over the connector. Once a click is heard, press in the plunger to push the cable out. The assembly block is not necessary for the removal in the float block configuration.

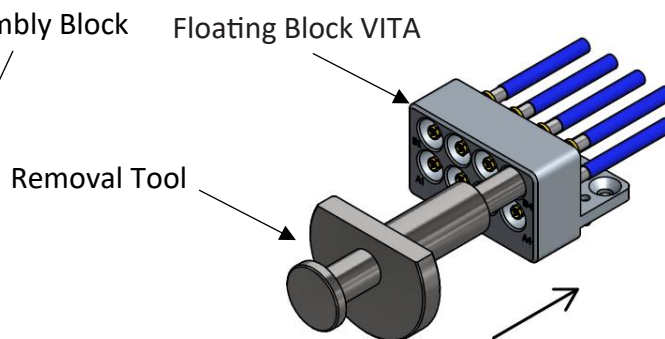


Figure 4

**NOTE:** There should be a click once tool has freed the retaining ring. At this point the channel should be loose and can be removed from the rear of the connector.